

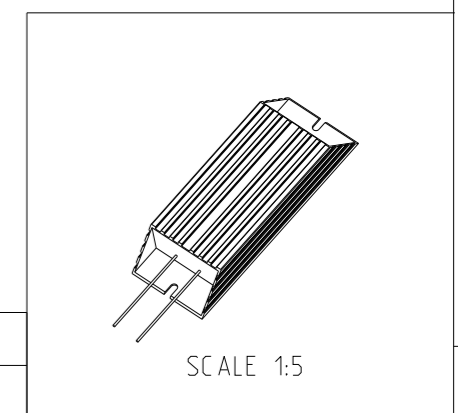
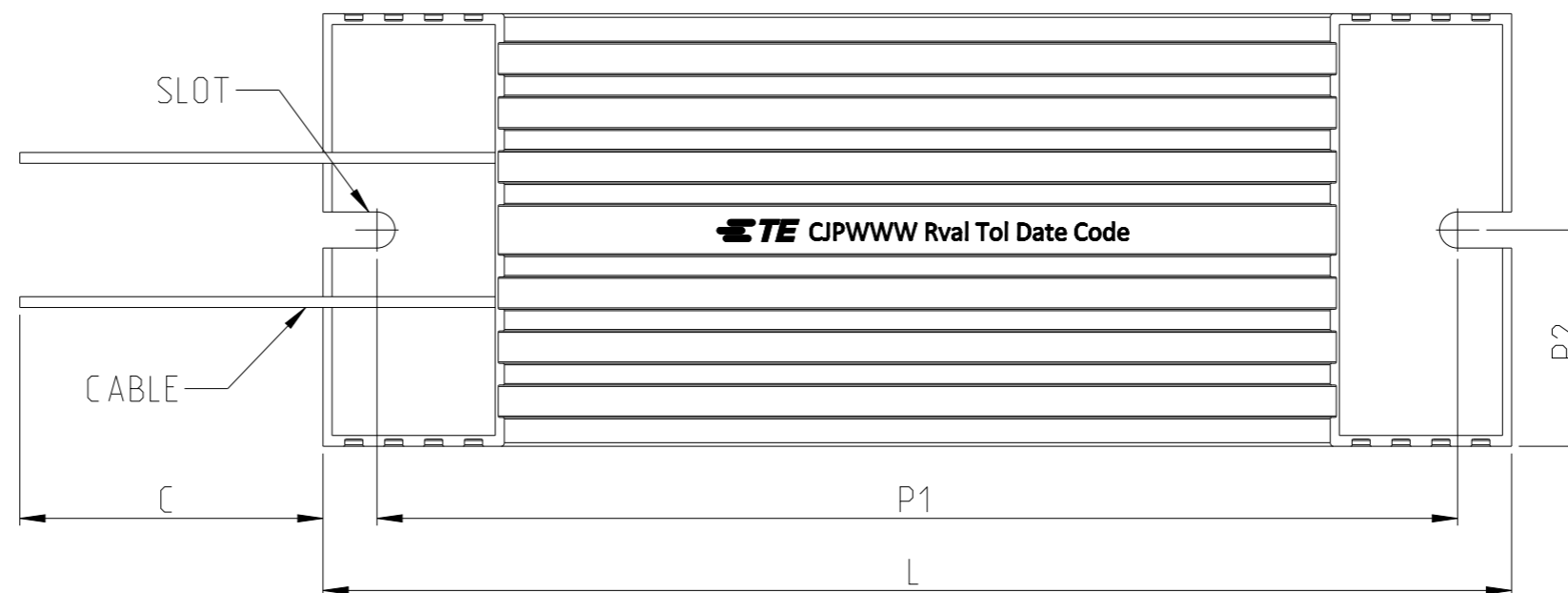
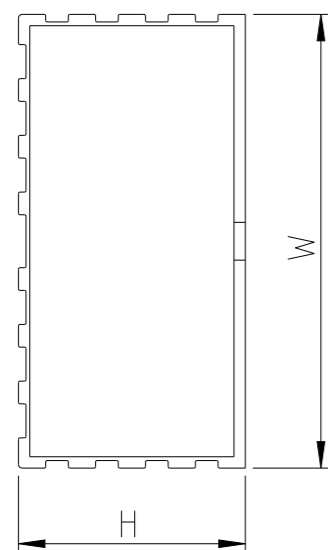
NOTE:

- 1 MOUNTING: 2x SLOT 5x10mm
- 2 TERMINATION CABLES: UL APPROVED FEP CABLES FOR THE TERMINATIONS, BASED ON THE RESISTOR CURRENT RATING (SEE CHART BELOW) WITH E5 RING TERMINALS

CURRENT RATING	CABLE SIZE USED
≤15A	16 AWG
>15A & ≤25A	14 AWG
>25A & ≤35A	12 AWG

3 FOR FURTHER INFORMATION SEE DATA SHEET FOR CJP SERIES OF ALUMINIUM HOUSED RESISTOR

P	LTR	DESCRIPTION	DATE	DWN	APVD
	A	INITIAL DRAWING RELEASE	27MAY2022	KS	AP



PART NUMBER	L	W	H	C	P1	P2
CJP200	165	60	30	290	150	30

THIS DRAWING IS A CONTROLLED DOCUMENT.		DWN KARTHIK S 27MAY2022		NAME ALUMINIUM ENCLOSED RESISTOR CJP200 SERIES										
DIMENSIONS: mm		CHK ALLAN P 27MAY2022												
TOLERANCES UNLESS OTHERWISE SPECIFIED:		APVD ALLAN P 27MAY2022												
<table border="1"> <tr> <td>0 PLC</td> <td>±</td> </tr> <tr> <td>1 PLC</td> <td>±0.5</td> </tr> <tr> <td>2 PLC</td> <td>±0.13</td> </tr> <tr> <td>3 PLC</td> <td>±0.013</td> </tr> <tr> <td>4 PLC</td> <td>±0.0001</td> </tr> <tr> <td>ANGLES</td> <td>±</td> </tr> </table>		0 PLC			±	1 PLC	±0.5	2 PLC	±0.13	3 PLC	±0.013	4 PLC	±0.0001	ANGLES
0 PLC	±													
1 PLC	±0.5													
2 PLC	±0.13													
3 PLC	±0.013													
4 PLC	±0.0001													
ANGLES	±													
MATERIAL		FINISH	APPLICATION SPEC	RESTRICTED TO										
-		-	WEIGHT	-										
-		-	SIZE	A3										
-		-	CAGE CODE	00779										
-		-	DRAWING NO	C=2176507										
-		-	SCALE	1:1										
-		-	SHEET	1 OF 2										
-		-	REV	A										

REVISIONS

P	LTR	DESCRIPTION	DATE	DWN	APVD
	-	SEE SHEET 1	-	-	-

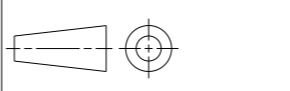
SCHEDULE

TCPN	PRODUCT NUMBER	MATERIAL DESCRIPTION	PART STATUS
2176507-1	C JP200JR56J	C JP 200W R56 5% LEAD	PRODUCTION
2176507-2	C JP200JR68J	C JP 200W R68 5% LEAD	PRODUCTION
2176507-3	C JP200JR82J	C JP 200W R82 5% LEAD	PRODUCTION
2176507-4	C JP200J1R0J	C JP 200W 1R0 5% LEAD	PRODUCTION
2176507-5	C JP200J1R2J	C JP 200W 1R2 5% LEAD	PRODUCTION
2176507-6	C JP200J1R5J	C JP 200W 1R5 5% LEAD	PRODUCTION
2176507-7	C JP200J1R8J	C JP 200W 1R8 5% LEAD	PRODUCTION
2176507-8	C JP200J2R2J	C JP 200W 2R2 5% LEAD	PRODUCTION
2176507-9	C JP200J2R7J	C JP 200W 2R7 5% LEAD	PRODUCTION
1-2176507-0	C JP200J3R3J	C JP 200W 3R3 5% LEAD	PRODUCTION
1-2176507-1	C JP200J3R9J	C JP 200W 3R9 5% LEAD	PRODUCTION
1-2176507-2	C JP200J4R7J	C JP 200W 4R7 5% LEAD	PRODUCTION
1-2176507-3	C JP200J5R6J	C JP 200W 5R6 5% LEAD	PRODUCTION
1-2176507-4	C JP200J6R8J	C JP 200W 6R8 5% LEAD	PRODUCTION
1-2176507-5	C JP200J8R2J	C JP 200W 8R2 5% LEAD	PRODUCTION
1-2176507-6	C JP200J10RJ	C JP 200W 10R 5% LEAD	PRODUCTION
1-2176507-7	C JP200J12RJ	C JP 200W 12R 5% LEAD	PRODUCTION
1-2176507-8	C JP200J15RJ	C JP 200W 15R 5% LEAD	PRODUCTION
1-2176507-9	C JP200J18RJ	C JP 200W 18R 5% LEAD	PRODUCTION
2-2176507-0	C JP200J22RJ	C JP 200W 22R 5% LEAD	PRODUCTION

SCHEDULE

TCPN	PRODUCT NUMBER	MATERIAL DESCRIPTION	PART STATUS
2-2176507-1	C JP200J27RJ	C JP 200W 27R 5% LEAD	PRODUCTION
2-2176507-2	C JP200J33RJ	C JP 200W 33R 5% LEAD	PRODUCTION
2-2176507-3	C JP200J39RJ	C JP 200W 39R 5% LEAD	PRODUCTION
2-2176507-4	C JP200J47RJ	C JP 200W 47R 5% LEAD	PRODUCTION
2-2176507-5	C JP200J56RJ	C JP 200W 56R 5% LEAD	PRODUCTION
2-2176507-6	C JP200J68RJ	C JP 200W 68R 5% LEAD	PRODUCTION
2-2176507-7	C JP200J82RJ	C JP 200W 82R 5% LEAD	PRODUCTION
2-2176507-8	C JP200J100RJ	C JP 200W 100R 5% LEAD	PRODUCTION
2-2176507-9	C JP200J120RJ	C JP 200W 120R 5% LEAD	PRODUCTION
3-2176507-0	C JP200J150RJ	C JP 200W 150R 5% LEAD	PRODUCTION
3-2176507-1	C JP200J180RJ	C JP 200W 180R 5% LEAD	PRODUCTION
3-2176507-2	C JP200J220RJ	C JP 200W 220R 5% LEAD	PRODUCTION
3-2176507-3	C JP200J270RJ	C JP 200W 270R 5% LEAD	PRODUCTION
3-2176507-4	C JP200J330RJ	C JP 200W 330R 5% LEAD	PRODUCTION
3-2176507-5	C JP200J390RJ	C JP 200W 390R 5% LEAD	PRODUCTION
3-2176507-6	C JP200J470RJ	C JP 200W 470R 5% LEAD	PRODUCTION
3-2176507-7	C JP200J560RJ	C JP 200W 560R 5% LEAD	PRODUCTION
3-2176507-8	C JP200J680RJ	C JP 200W 680R 5% LEAD	PRODUCTION
3-2176507-9	C JP200J820RJ	C JP 200W 820R 5% LEAD	PRODUCTION
4-2176507-0	C JP200J1K0J	C JP 200W 1K0 5% LEAD	PRODUCTION

THIS DRAWING IS A CONTROLLED DOCUMENT.

DIMENSIONS:	TOLERANCES UNLESS OTHERWISE SPECIFIED:
mm	
	0 PLC ±-
	1 PLC ±0.5
	2 PLC ±0.13
	3 PLC ±0.013
	4 PLC ±0.0001
	ANGLES ±
MATERIAL	FINISH
-	-
-	-

DWN	KARTHIK S	27MAY2022
CHK	ALLAN P	27MAY2022
APVD	ALLAN P	27MAY2022
PRODUCT SPEC	-	-
APPLICATION SPEC	-	-
WEIGHT	-	-
CUSTOMER DRAWING		

**TE** TE Connectivity

NAME  
ALUMINIUM ENCLOSED RESISTOR  
C JP200 SERIES

SIZE	CAGE CODE	DRAWING NO	RESTRICTED TO
A3	00779	C=2176507	-

SCALE 1:1 SHEET 2 OF 2 REV A